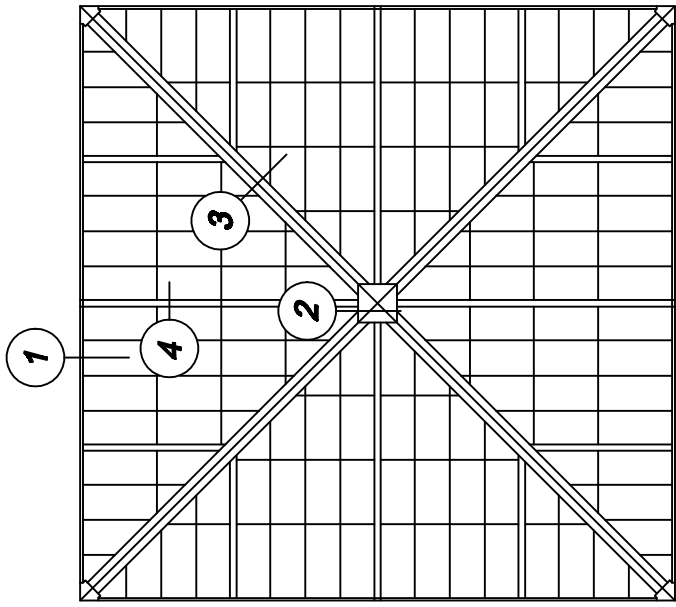
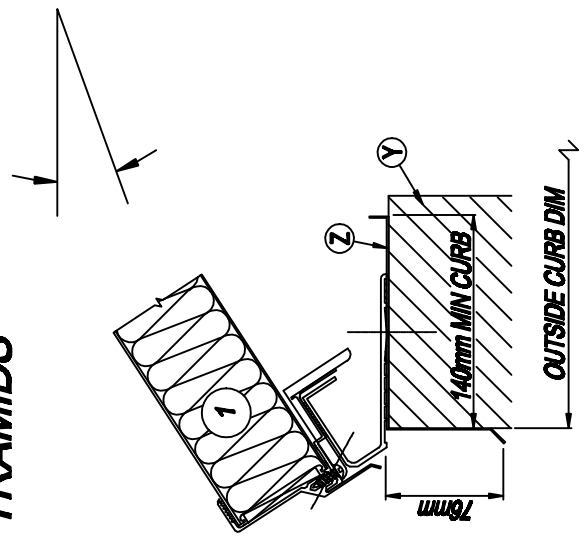


STANDARD SLOPES  
 20°  
 27.25°  
 33.33°  
 45°

**PYRAMIDS**



**STANDARD KALWALL DETAILS  
 ASSORTED PYRAMID DETAILS**

Stokes Systems Ltd. 1, Banstead road, Purley, Surrey. CR8 3EB  
 Tel: 020 8990 7067 Fax: 020 8990 5707 Email: design@stokes.co.uk

This drawing is copyright and may not be reproduced in whole or in part without written consent of Stokes Systems Limited.

**STOKES**  
 STOKES SYSTEMS LTD

Detail Ref.	
<b>08R-STD/12</b>	
Date. 1905/97	Rev. D
System. 08T	Scale. 1=2